

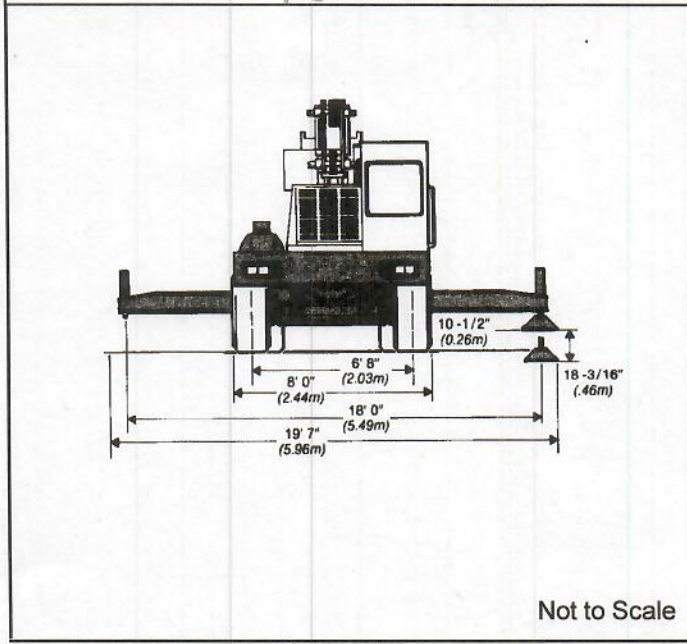
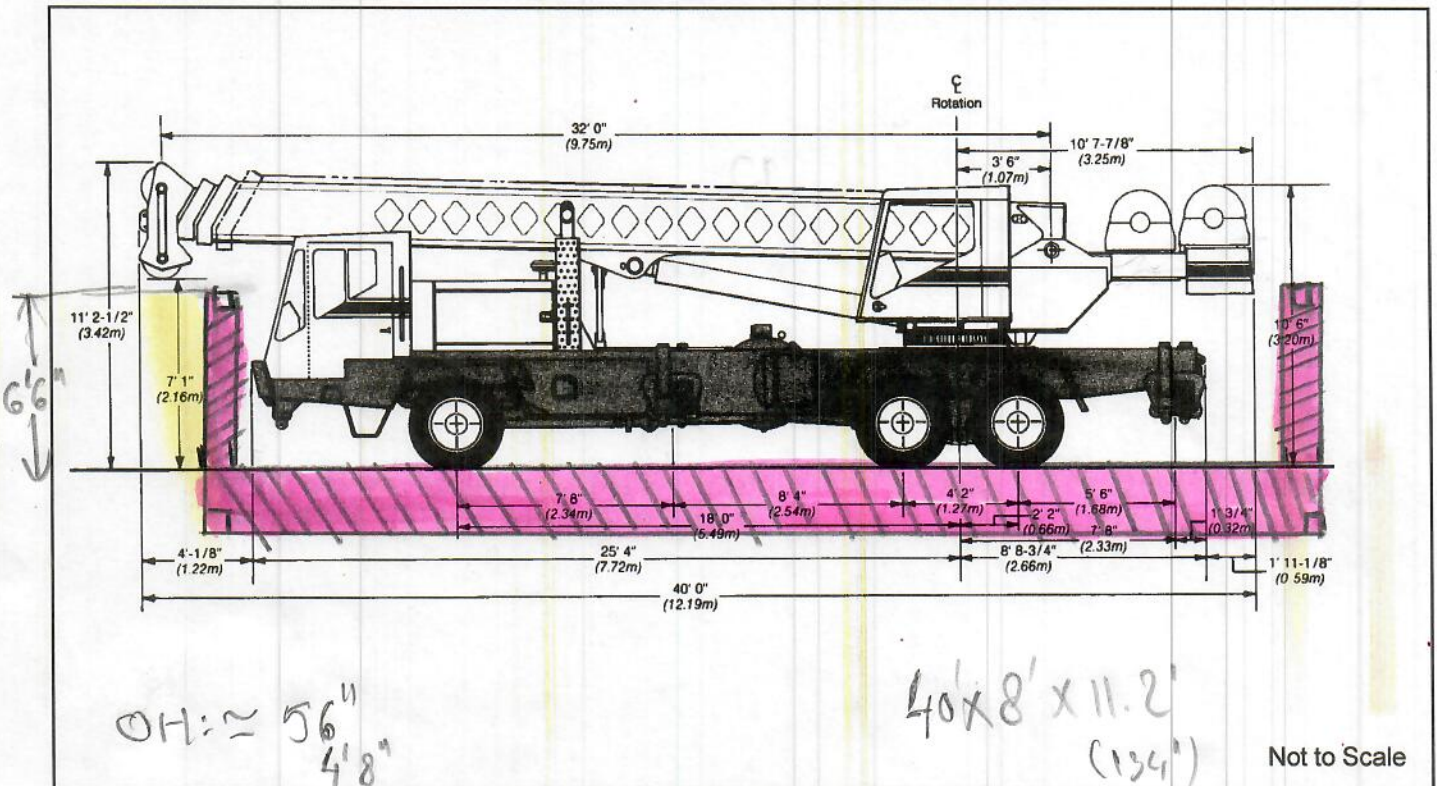
Specifications

Hydraulic Truck Crane

HTC-830

30-ton (27.23 metric ton)

(48543 LBS)
 CARGO : 22.019 MT
 FR : 5.5 MT
 BLOCK / BRACE : 0.5 MT
 ≈ 28. MT



General dimensions	feet	meters
Tailswing of counterweight	10'-11.5"	3.34
Ground clearance - Standard Tires	9.0"	.23
Ground clearance - Optional Tires	9.6"	.24
Turning radius C/L of tire - Std. tires	46' 11"	14.30
Turning radius - wall to wall (outside front bumper)	50' 7"	15.42